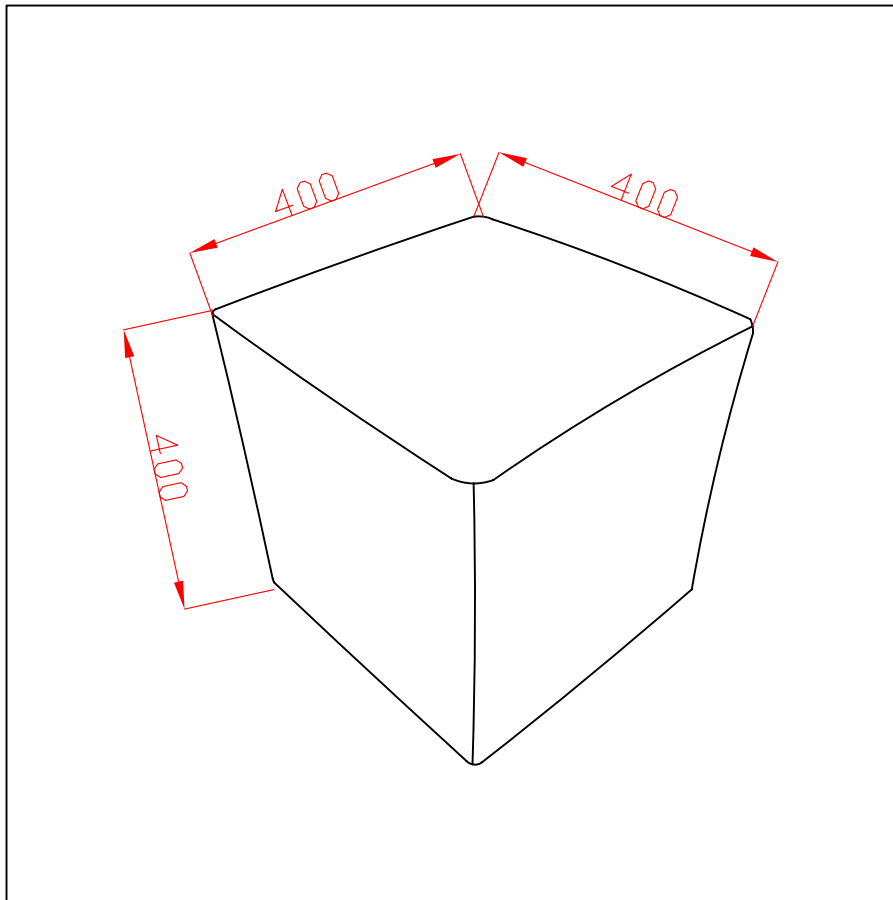




ASSEMBLY INSTRUCTION
DOZE OTTOMAN FABRIC
ITEM CODE 57853

Imported by Amart furniture Pty Ltd, Qld, Brisbane Australia.
For any assistance with assembly or for missing parts please phone
Amart furniture, Customer Service Free call 1800 351 084



Imported by Amart Furniture Pty Ltd, Qld, Brisbane Australia.
For any assistance with assembly or for missing parts please phone
Amart Furniture, Customer Service Free Call 1800 351 084

CARE AND MAINTENANCE

FABRIC CARE

REGULAR CARE: PROTECT FROM DIRECT SUNLIGHT. VACUUM REGULARLY USING LOW SUCTION. ROTATE REVERSIBLE CUSHIONS REGULARLY.

CLEANING:

DO NOT REMOVE CUSHION COVERS FOR SEPARATE CLEANING EVEN THOUGH THEY HAVE ZIPPERS.

DO NOT WASH

DO NOT DRY CLEAN

DO NOT SHAMPOO

CLEAN WITH HOT-WATER EXTRACTION MACHINE. (HOT) PROFESSIONAL CLEANING RECOMMENDED

DO NOT USE DISHWASHING OR LAUNDRY DETERGENTS

USE ONLY UPHOLSTERY DETERGENTS

DO NOT WET FILLING

DRY IN SHADE AWAY FROM DIRECT HEAT AND SUNLIGHT ALLOW TO DRY THOROUGHLY BEFORE RE-USE

SPOT CLEANING:

DO NOT RUB

DO NOT SPOT CLEAN WITH ANY SOLVENT.

TREAT SPILLS AND STAINS AS SOON AS POSSIBLE.

GENTLY SCRAPE ANY SOIL OR MOP ANY LIQUID FROM THE SURFACE OF THE FABRIC.

APPLY PROPRIETARY CLEANING AGENTS STRICTLY ACCORDING TO INSTRUCTIONS TO REMOVE THE RESIDUE OF THE SPILL.

DO NOT SATURATE THE FABRIC OR INTERIOR WITH WATER OR OTHER CLEANING LIQUIDS.

WARNING: APPLY ONLY WATER-BASED SOIL RESIST (FABRIC PROTECTION) TREATMENTS. DO NOT USE AEROSOL PRODUCTS.